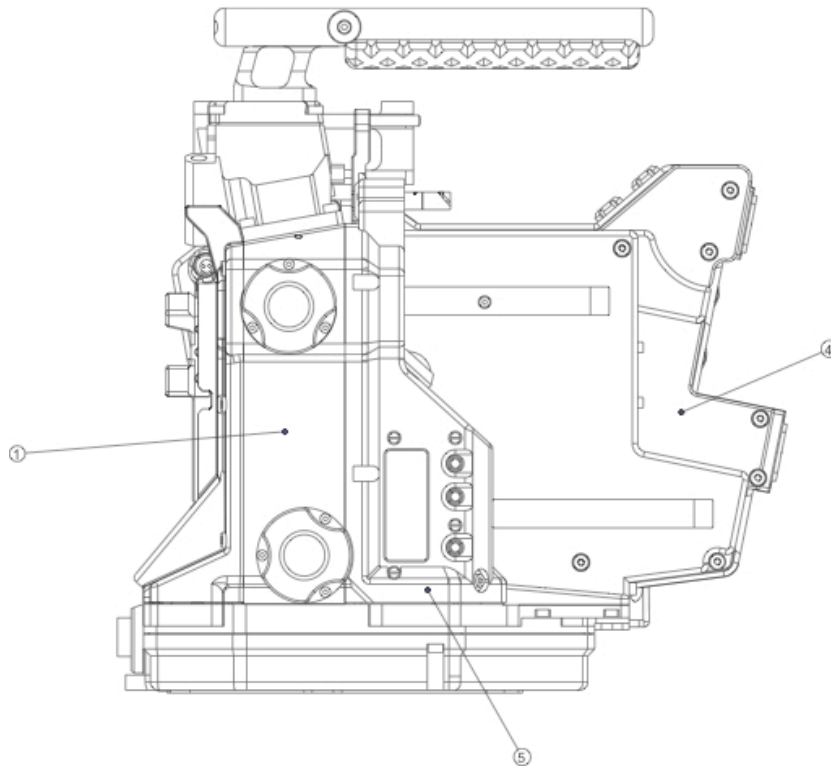
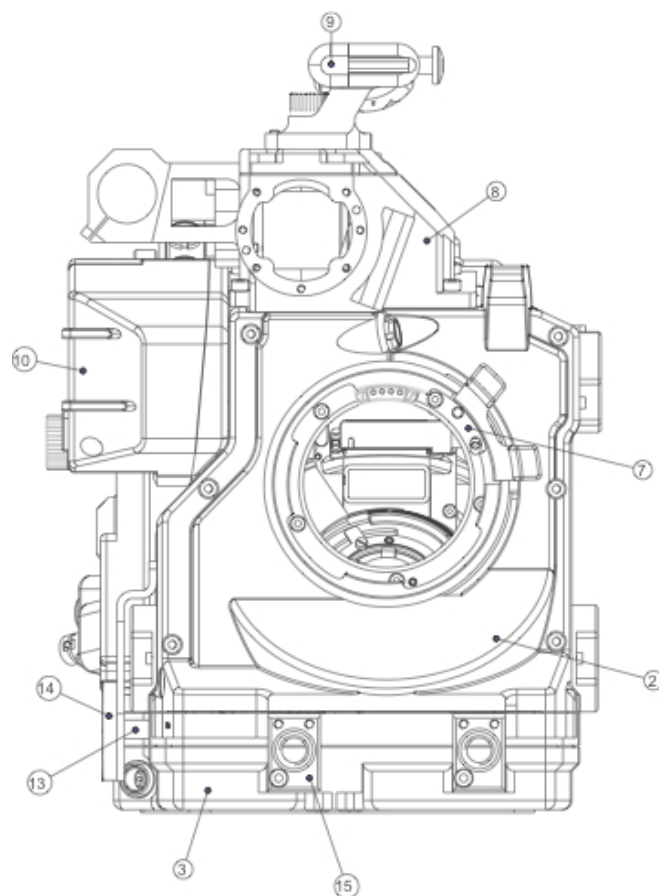


CAMERA BODY



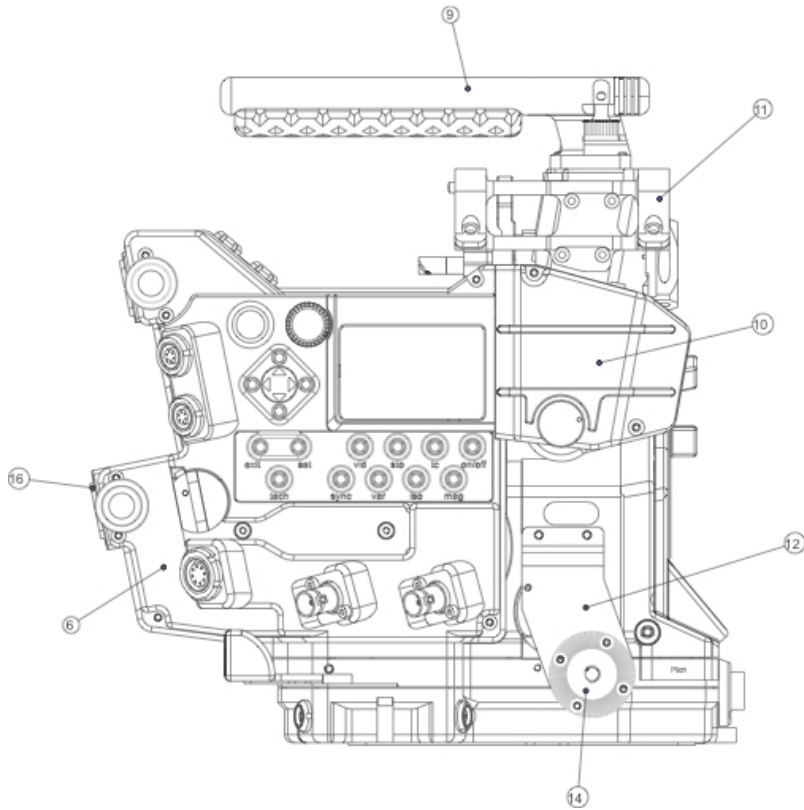
IND	DESIGNATION	DESIGNATION	REFERENCE
1	SE CHASSIS 2 PERFS	PENELOPE CHASSIS S/A	3321001
4	SE CARTER INTERFACE FOND	MAGAZINE SIDE BODY COVER S/A	3320065
5	SE CARTER INTERFACE CHASSIS	CAMERAMAN SIDE BODY COVER S/A	3320040

## CAMERA BODY



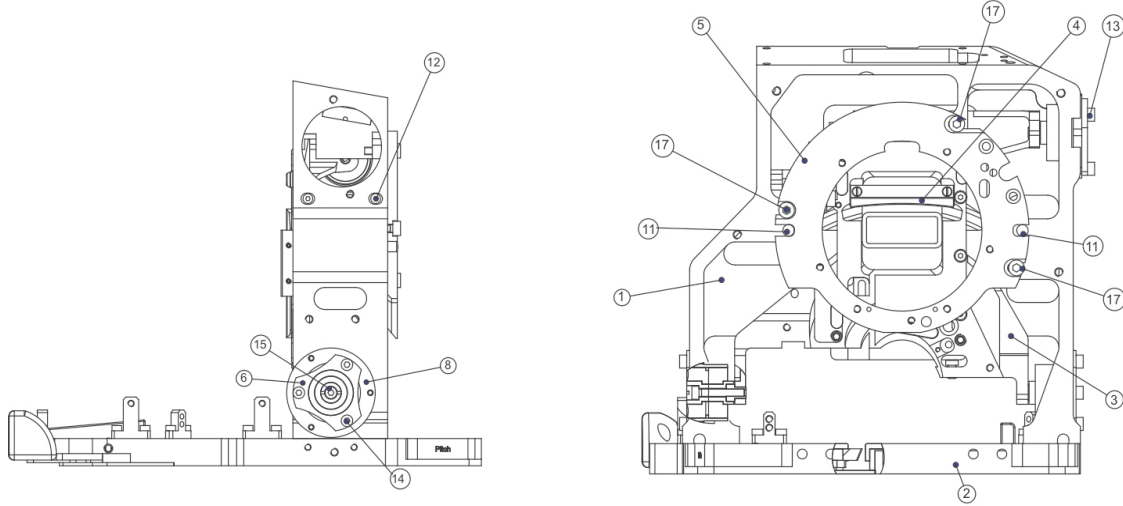
IND	DESIGNATION	DESIGNATION	REFERENCE
2	PC CARTER AVANT PENELOPE	FRONT BODY S/A	3320020
3	SE BARQUETTE PENELOPE	PENELOPE ELECTRONIC BASE S/A	3320050
7	SE MONTURE ARRI	ARRI PL MOUNT S/A	3321040
8	SE VISEUR PENELOPE	PENELOPE VIEWFINDER S/A	0390001
9	SE POIGNEE PENELOPE	PENELOPE TOP HANDLE S/A	3320070
10	PC CARTER VIDEO	VIDEO COVER S/A	3320060
13	ENTRETOISE SUPPORT ROSETTE	ROSETTE HOLDER SPACER	3321007
14	ROSETTE ARRI	ARRI ROSETTE	3321013
15	ATTACHE BARQUETTE	BASE FASTENER	3512021

## CAMERA BODY



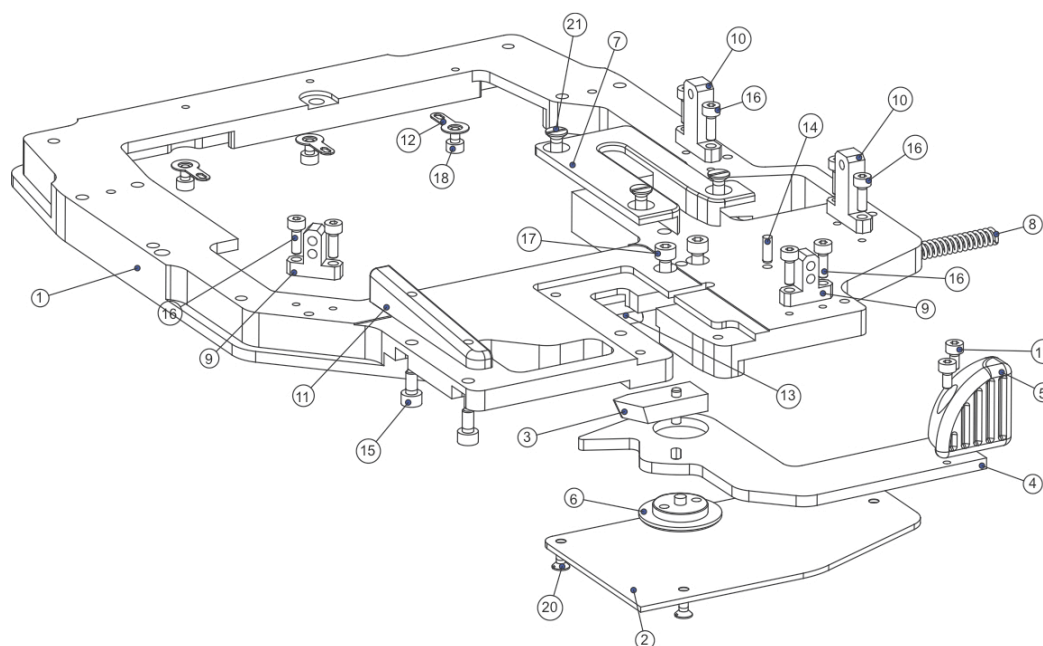
IND	DESIGNATION	DESIGNATION	REFERENCE
6	SE BOITIER CONNECT-AFFICHEUR	ASSISTANT SIDE BODY COVER S/A	3320030
9	SE POIGNEE PENELOPE	PENELOPE TOP HANDLE S/A	3320070
10	PC CARTER VIDEO	VIDEO COVER S/A	3320060
11	SE SUPPORT TIGE PENELOPE	TOP ROD HOLDER S/A	3320095
12	SUPPORT ROSETTE	ROSETTE HOLDER	3321014
14	ROSETTE ARRI	ARRI ROSETTE	3321013
16	CAOUTCHOUC CALAGE BATTERIE	BATTERY RUBBER HOLDER	3320007

## CAMERA BODY - Main Chassis



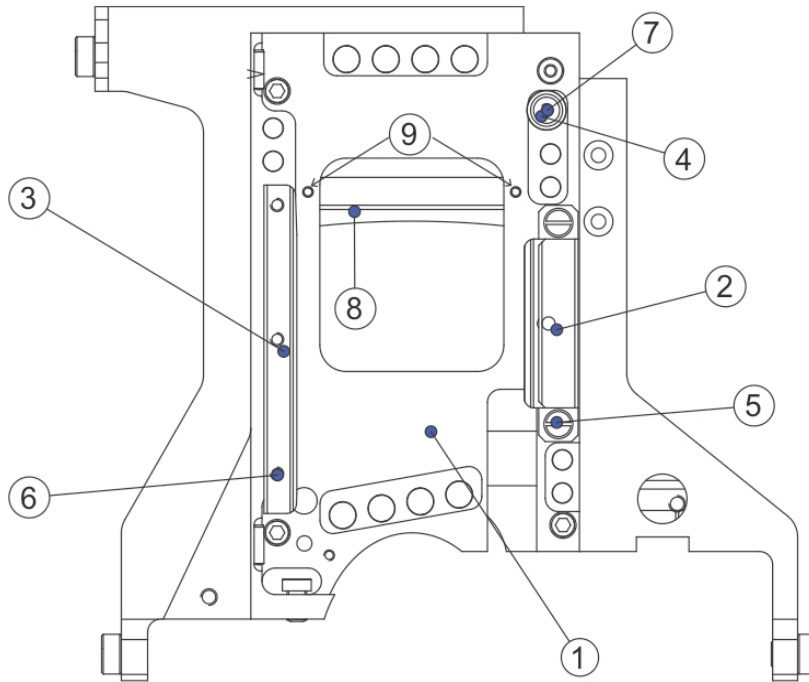
IND	DESIGNATION	DESIGNATION	REFERENCE
1	CHASSIS PENELOPE	PENELOPE CHASSIS	3321011
2	S/E PLATINE VERROU	LOCKING PLATE S/A	3321020
3	S/E ARCEAU PENELOPE	PENELOPE HOOP S/A	3324101
4	PC PLAQUE CANAL 2 PERFS	2 PERFS GATE S/A	3324120
5	SUPPORT OBJECTIF	LENS HOLDER	3321031
6	PC SUSPENSION PENELOPE	PENELOPE SUSPENSION S/A	3321015
7	PC SUSPENSION 4	SUSPENSION 4 S/A	3321035
8	CALE PELABLE SUSPENSION	SUSPENSION THICKNESS WASHER	3321019
9	CALE FIXE SUSPENSION	SUSPENSION FIXED WASHER	3321009
10	PATTE SUSPENSION 4	STRAND BINDING 4	3324126
11	GOUPILLE CYLINDRIQUE 4x8	CYLINDRICAL PIN 4x8	7084860
12	VIS CHC M2x6	M2x6 ALLEN SCREW	0105039
13	VIS CHC M2.5x10	M2.5x10 ALLEN SCREW	0105013
14	VIS CHC M2.5x6	M2.5x6 ALLEN SCREW	0105016
15	VIS CHC M2.5x14	M2.5x14 ALLEN SCREW	7084017
16	VIS CHC M3x10	M3x10 ALLEN SCREW	0105025
17	VIS CHC M3x8	M3x8 ALLEN SCREW	7084022

## CAMERA BODY - Bottom Chassis



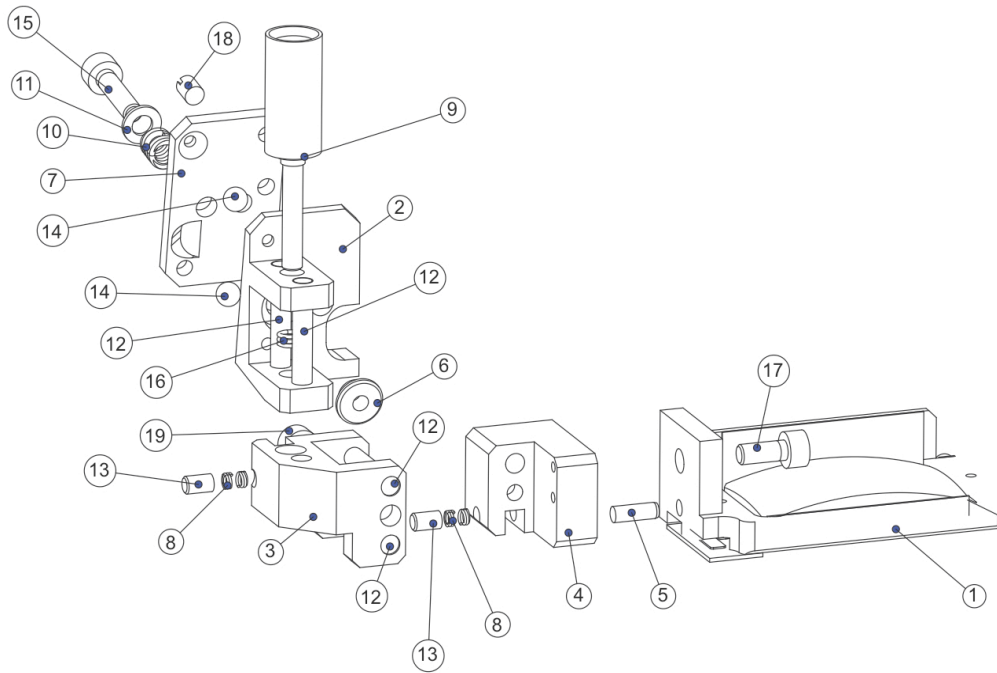
IND	DESIGNATION	DESIGNATION	REFERENCE
1	PLATINE VERROU PENELOPE	PENELOPE LOCK CHASSIS	3321021
2	TOLE COMPARTIMENT VERROU	LOCK COVER PLATE	3321024
3	PC VERROU	LOCK S/A	3541015
4	LEVIER DEVERROUILLAGE	LOCKING LEVER	3321023
5	BOUTON LEVIER DEVERROUILLAGE	LOCKING LEVER BUTTON	3321027
6	AXE LEVIER DEVERROUILLAGE	LOCKING LEVER SHAFT	1315025
7	BARETTE VERROU MAGASIN PENELOPE	PENELOPE MAGAZINE LOCKING PLATE	3321022
8	RESSORT VERROU 35	LOCK LEVER SPRING 35	3541033
9	EQUERRE INTERFACE TYPE A	T-SQUARE TYPE A	3321028
10	EQUERRE INTERFACE TYPE B	T-SQUARE TYPE B	3321029
11	LARDON GUIDE MAGASIN	MAGAZINE LATTERAL GUIDE BAR	3321026
12	COSSE DE MASSE DIA.3.2	GROUND CONNECTION DIA.3.2	7085224
13	GOUPILLE CYLINDRIQUE- type A 2.5x12	CYLINDRICAL PIN- type A 2.5x12	7084838
14	GOUPILLE CYLINDRIQUE 2x4	CYLINDRICAL PIN 2x4	7084832
15	VIS CHC M2.5x5	M2.5x5 ALLEN SCREW	0105011
16	VIS CHC M2x6	M2x6 ALLEN SCREW	0105039
17	VIS CHC M2.5x6	M2.5x6 ALLEN SCREW	7084013
18	VIS CHC M2x3	M2x3 ALLEN SCREW	0105034
19	VIS CHC M2x6	M2x6 ALLEN SCREW	0105026
20	VIS FS M2x4	FS M2x4 SCREW	7084212
21	VIS FS M2.5x5	FS M2.5x5 SCREW	7084221

CAMERA BODY - Gate and Hoop S/A



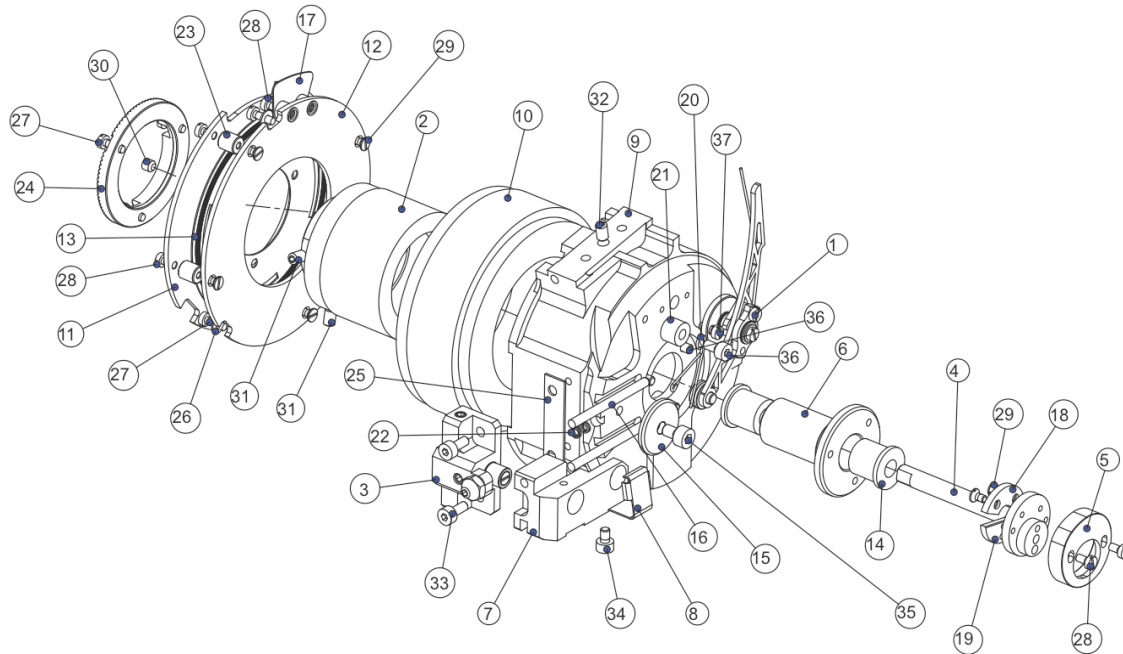
IND	DESIGNATION	DESIGNATION	REFERENCE
1	PC ARCEAU PENELOPE	PENELOPE HOOP S/A	3324110
2	PRESSEUR LATERAL PENELOPE	PENELOPE LATERAL PRESSURE PLATE	3324117
3	BARETTE FIXE PENELOPE	PENELOPE LATTERAL GUIDE	3324118
4	PLOT	POST	3324119
5	VIS FS M2x5	FS M2x5 SCREW	7084213
6	VIS CHC M2x5	M2x5 ALLEN SCREW	7084002
7	VIS CHC M2x6	M2x6 ALLEN SCREW	0105039
8	CHICANE AATONITE	AATONITE CHICANE	3324109
9	VIS FS M1.6x2	FS M1.6x2 SCREW	7084101

**CAMERA BODY - Groundglass holder S/A**



IND	DESIGNATION	DESIGNATION	REFERENCE
1	PC CADRE DEPOLI PENELOPE	GROUNDGLASS HOLDER S/A	3323015
2	SUPPORT PRINCIPAL DEPOLI	GROUNDGLASS MAIN HOLDER	3323011
3	SUPPORT DEPOLI REGLAGE COLIMATION	COLIMATION ADJUSTMENT HOLDER	3323012
4	REGLAGE CADRAGE DEPOLI	GROUNDGLASS FRAMING ADJUSTMENT	3323013
5	GOUPILLE CYLINDRIQUE 2x6	CYLINDRICAL PIN 2x6	7084833
6	INSERT M2.5 x 4 H2.8	M2.5 x 4 H2.8 INSERT	3513117
7	PLATINE REGLAGE SUPPORT DEPOLI	GROUNDGLASS HOLDER PLATE	3323019
8	RESSORT DE COMPRESSION C 2x0.32x4	COMPRESSION SPRING - C 2x0.32x4	3323018
9	PC GUIDE REGLAGE COLIMATION	COLIMATION ADJUSTMENT GUIDE S/A	3323005
10	RESSORT DE COMPRESSION C 4x0.7x5	COMPRESSION C 4x0.7x5	3323009
11	RONDELLE Z 2.5	WASHER Z 2.5	7084605
12	GOUPILLE CYLINDRIQUE 2.5x16	CYLINDRICAL PIN 2.5x16	7084850
13	CYLINDRE DE FRICTION	FRICTION CYLINDER	3323014
14	BILLE DIA. 3	BALL DIA. 3	7084906
15	VIS CHC M2.5x10	M2.5x10 ALLEN SCREW	7084015
16	RESSORT DE COMPRESSION C 3.6x0.5x10	COMPRESSION SPRING C3.6x0.5x10	3323007
17	VIS CHC M2.5x6	M2.5x6 ALLEN SCREW	7084013
18	VIS SANS TETE 2.5	2.5 SLOTTED HEAD SCREW	0113134
19	VIS CHC M2.5x14	M2.5x14 ALLEN SCREW	7084017

**CAMERA BODY - Bascule Motor**

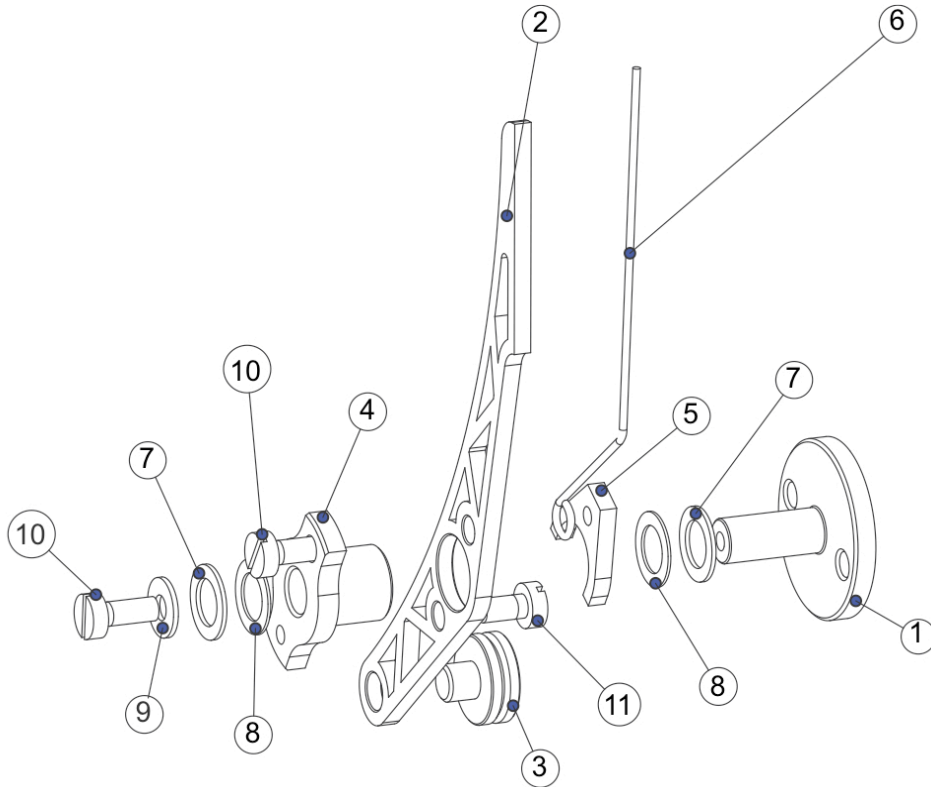


IND	DESIGNATION	DESIGNATION	REFERENCE
1	PC BASCULE	BASCULE S/A	3352145
2	SUPPORT ROTOR MOTEUR GRIFFE	CLAW MOTOR - ROTOR HOLDER	3352113
3	SE EXCENTRIQUE COULISSEAU	ECCENTRIC SHIM S/A	3352140
4	AXE PALIER GRIFFE 2/3 PERFS	2/3 PERFS CLAW SHAFT RIVET	3352126
5	CAME PENELOPE 2/3 PERFS	PENELOPE 2/3 PERFS CAME	3352129
6	FOURREAU MOTEUR	MOTOR SLEEVE	3352112
7	REGLAGE COULISSEAU 2/3 PERFS	REGLAGE COULISSEAU 2/3 PERFS	3352131
8	RESSORT BRAS	ARM SPRING	3352136
9	BERCEAU MOTEUR GRIFFE	CLAW MOTOR CRADLE	3352111
10	MOTEUR TRI AMETECK	TRIPASED AMETECK MOTOR	3352110
11	CARTE TAC GRIFFE-MAGASIN	CLAW-MAG TAC BOARD	5571590
12	CARTE LED GRIFFE-MAGASIN	CLAW-MAG LED BOARD	5571690
13	ROUE TACHY MOTEUR GRIFFE-MAGASIN	CLAW-MAG MOTOR TACHY WHEEL	3352116
14	BAGUE INTERMEDIAIRE DIA. 8.4	INTERMEDIARY RING DIA. 8.4	0114012
15	RONDELLE DE SERRAGE	LOCKING RING	3352132
16	GOUPILLE CYLINDRIQUE 2x25	CYLINDRICAL PIN 2x25	7084846
17	CONTRE-MASQUE MOTEUR PENELOPE	PENELOPE MOTOR COUNTER-MASK	3352117
18	MASSELOTTE AXE GRIFFE 2/3 PERFS	2/3 PERFS CLAW SHAFT COUNTER-WEIGHT	3352128
19	PLAQUETTE ECROU AXE GRIFFE	CLAW SHAFT PLATE NUT	3352127
20	RESSORT BASCULE	BASCULE SPRING	3352134
21	ENTRETOISE RESSORT BASCULE	BASCULE SPRING WASHER	3352133
22	RESSORT DE COMPRESSION CYLINDRIQUE	COMPRESSION CYLINDRICAL SPRING	3352153
23	ENTRETOISE TACHY	TACHY SPACER	3351144
24	ECROU TACHY MOTEUR GRIFFE-MAGASIN	CLAW-MAG TACHY NUT	3352114
25	CABLE PELABLE SUPPORT EXCENTRIQUE	ECCENTRIC HOLDER THICKNESS SHIM	3352154
26	RONDELLE 1.7x4x0.35	1.7x4x0.35 WASHER	7084601
27	VIS CS M1.6x5	CS M1.6x5 SLOTTED SCREW	7084104
28	VIS CS M1.6x3	CS M1.6x3 SLOTTED SCREW	7084102
29	VIS FS M1.6x3	FS M1.6x3 SLOTTED SCREW	7084202
30	VIS HC BOUT PLAT M2.5x2.5	HC M2.5x2.5 FLAT SCREW	7084315
32	VIS HC M2.5x4 PLAT	HC M2.5x4 FLAT SCREW	7084312
33	VIS INOX CHC M2x5	M2x5 ALLEN INOX SCREW	0105035
34	VIS CHC M2x3	M2x3 ALLEN SCREW	0105034



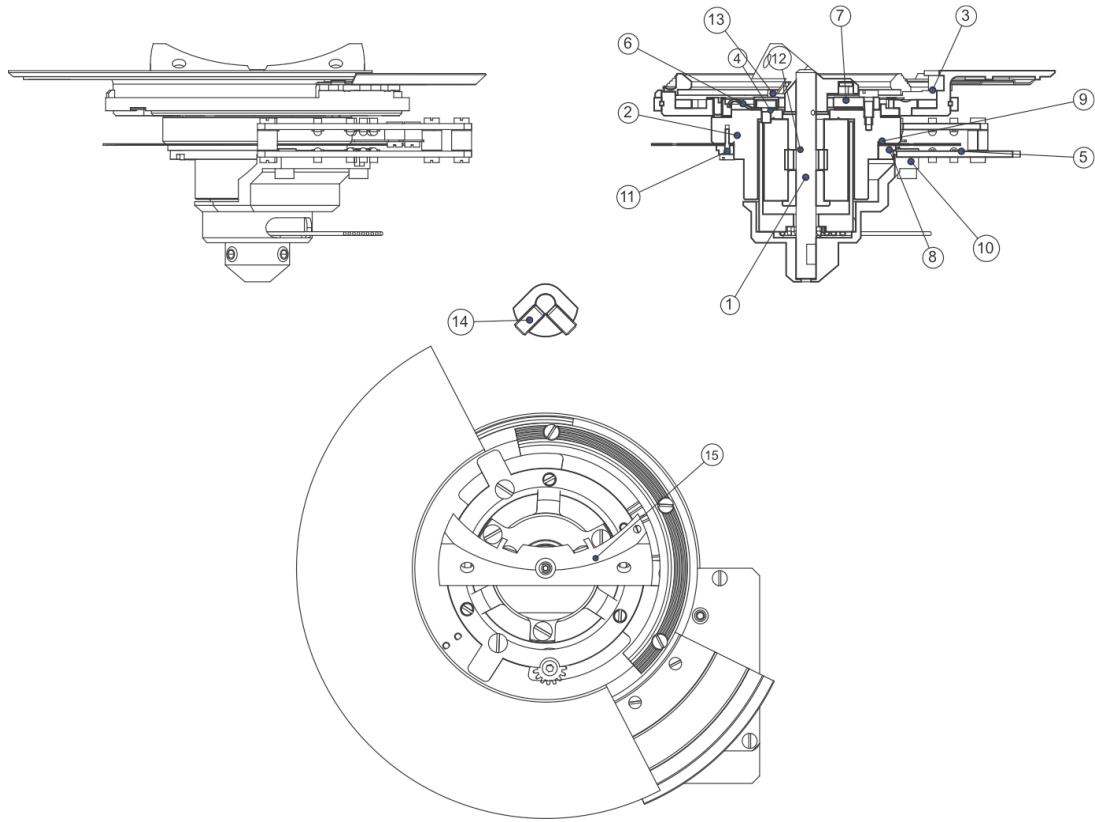
35	VIS INOX CHC M2.5x4	M2.5x4 ALLEN INOX SCREW	0105019
36	VIS INOX CHC M2x4	M2x4 ALLEN INOX SCREW	0105026
37	VIS INOX CS M1.6x4	M1.6x4 CS INOX SCREW	0105037

CAMERA BODY - Bascule and Movement system



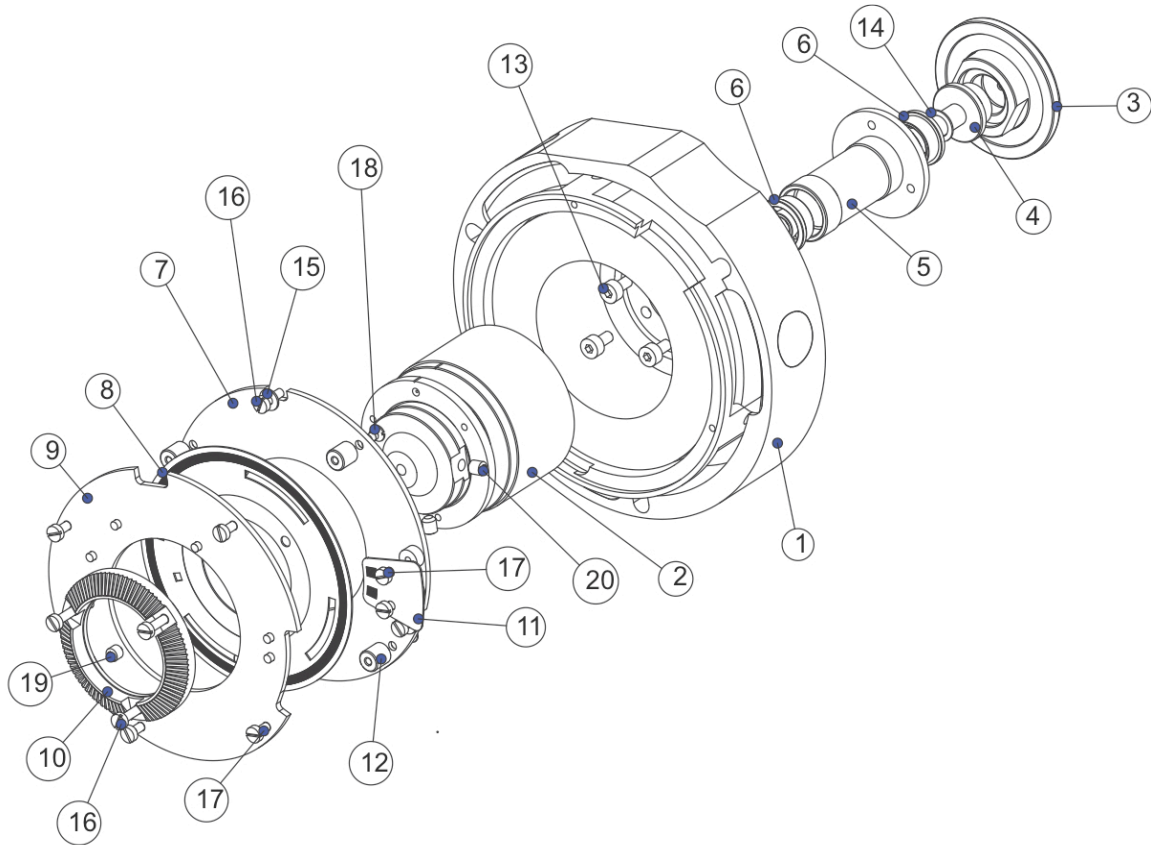
IND	DESIGNATION	DESIGNATION	REFERENCE
1	AXE BASCULE	BASCULE SHAFT	3352144
2	BASCULE	BASCULE	3352148
3	GALET BASCULE	BASCULE DRIVE	3352146
4	PALIER BASCULE	BASCULE RIVET	3352147
5	ECROU FIXATION RESSORT	SPRING LOCKING NUT	3352152
6	RESSORT GRIFFE	CLAW SPRING	3352151
7	RONDELLE PELABLE 5x3.2	5x3,2 THICKNESS WASHER	3352139
8	CALE TEFLON 3.2x5x0,2	3.2x5x0,2 TEFLON WASHER	3352141
9	RONDELLE 1.7x4x0.35	1.7x4x0.35 WASHER	7084601
10	VIS INOX CS M1.6x4	1.6x4 SLOTTED HEAD INOX SCREW	0105037
11	VIS CS M1.6x3	1.6x3 SLOTTED HEAD SCREW	7084102

**CAMERA BODY - Shutter Motor S/A**



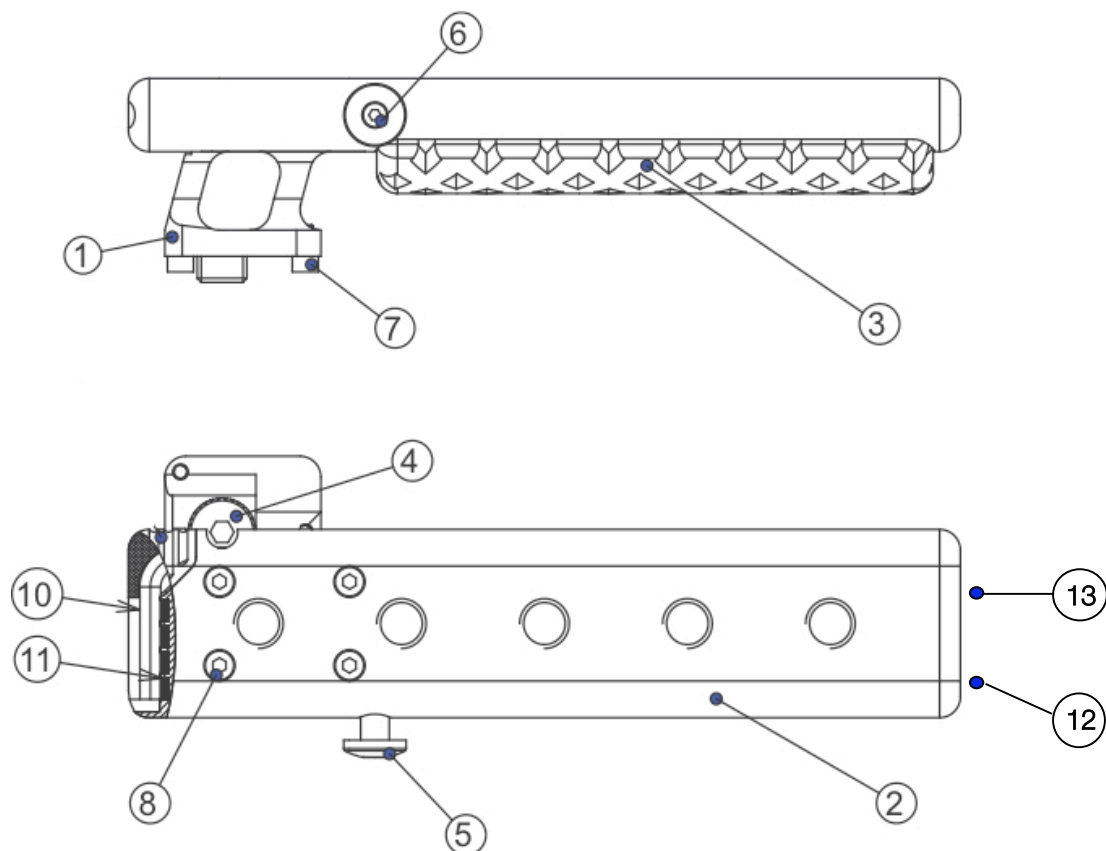
IND	DESIGNATION	DESIGNATION	REFERENCE
1	PC CUIVRE MAXON	MAXON BRASS S/A	3351130
2	PC FOURREAU MAXON	MAXON SLEEVE S/A	3351120
3	PC MIROIR VARIABLE PENELOPE	PENELOPE VARIABLE SHUTTER S/A	3552110
4	PC SUPPORT AXE MIROIR	SHUTTER SHAFT HOLDER S/A	3351115
5	S/E TACHY MIROIR	TACHY SHUTTER S/A	3351140
6	TOLE FIXATION MIROIR PENELOPE	SHUTTER HOLDER PLATE	3351114
7	RONDELLE FERMETURE DE CHAMP	FIELD LOCK WASHER	3351113
8	RONDELLE DE SERRAGE TACHY	TACHY MIRROR TIGHTENER	3351111
9	ROUE CAPTEUR POSITION MIROIR	SHUTTER POSITION SENSOR WHEEL	3351112
10	VIS CHC M2x4	M2x4 ALLEN SCREW	0105026
11	VIS CS M1.6x5	M1.6x5 CS SCREW	7084104
12	VIS CS M2x2	M2x2 CS SCREW	7084110
13	VIS CS M2x4	M2x4 CS SCREW	7084112
14	VIS HC M3x6 BOUT PLAT	HC M3x6 FLAT SCREW	7084326
15	VIS HC M2x4 BOUT PLAT	HC M2x4 FLAT SCREW	7084301

**CAMERA BODY - Magazine Motor**



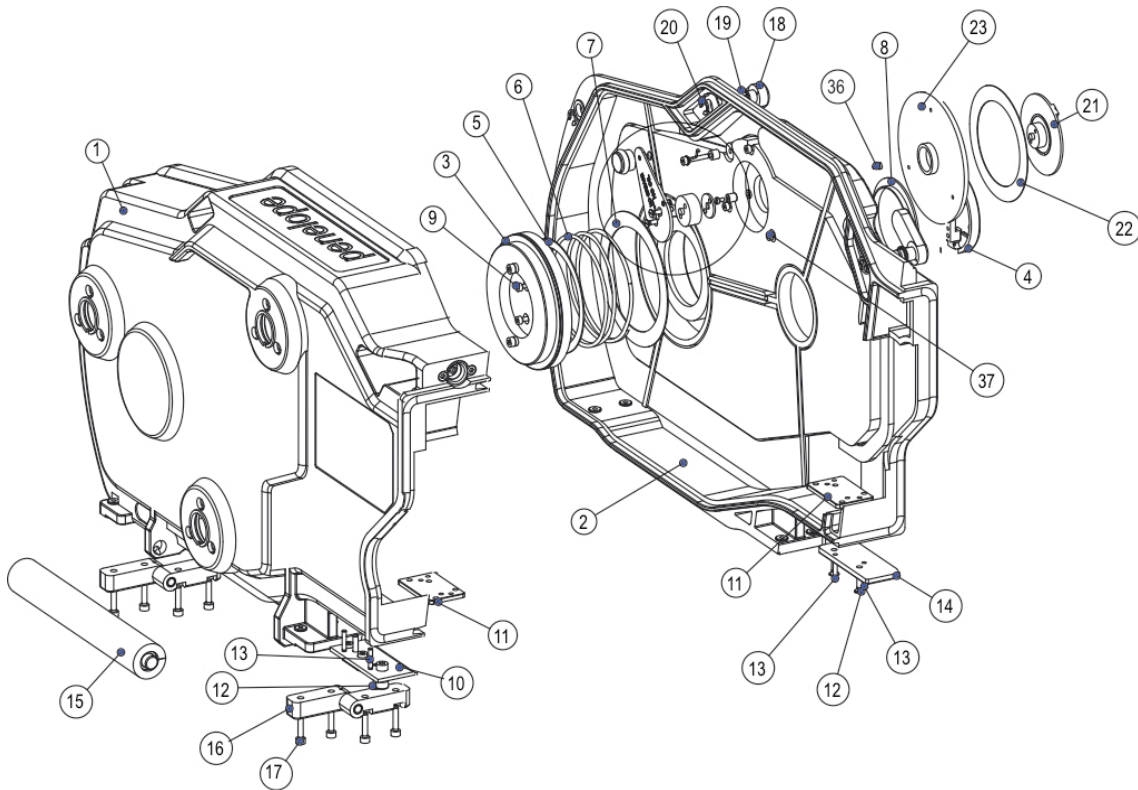
IND	DESIGNATION	DESIGNATION	REFERENCE
1	PC PANCAKE SUSPENDU	SUSPENDED PANCAKE S/A	3354110
2	SUPPORT ROTOR MAG	MAGAZINE ROTOR HOLDER	3354116
3	PC CRABOT MOTEUR MAG	MAGAZINE MOTOR DRIVING SYSTEM S/A	3354120
4	AXE MOTEUR MAGASIN	MAGAZINE MOTOR SHAFT	3354113
5	FOURREAU MOTEUR MAGASIN	MAGAZINE MOTOR SLEEVE	3354112
6	ROULEMENT A BILLE 4x9x4	BALL BEARING 4x9x4	0242022
7	CARTE LED MOTEUR GRIFFE-MAGASIN	CLAW-MAG MOTOR LED BOARD	5571690
8	ROUE TACHY MOTEUR GRIFFE-MAGASIN	CLAW-MAG MOTOR TACHY WHEEL	3352116
9	CARTE TAC GRIFFE-MAGASIN	CLAW-MAG TAC BOARD	5571590
10	BAGUE TACHY MOTEUR	MOTOR TACHY NUT	3352114
11	CONTRE MASQUE MOTEUR PENELOPE	PENELOPE MOTOR COUNTER-MASK	3352117
12	ENTRETOISE TACHY	TACHY SPACER	3351144
13	VIS INOX CHC M2x4	M2x4 INOX ALLEN SCREW	0105026
14	CALE PELABLE DIA.4 Ep0.3mm	THICKNESS SHIM DIA.4 Ep0.3mm	0115024
15	RONDELLE 1.7x4x0.35	1.7x4x0.35 WASHER	7084601
16	VIS CS M1.6x5	CS M1.6x5 SLOTTED SCREW	7084104
17	VIS CS M1.6x3	CS M1.6x3 SLOTTED SCREW	7084102
18	VIS FS M1.6x3	FS M1.6x3 SLOTTED SCREW	7084202
19	VIS HC M2.5x2.5 BOUT PLAT	HC M2.5x2.5 FLAT SCREW	7084315
20	VIS HC 2.5x3 BOUT PLAT	HC 2.5x3 FLAT SCREW	7084311

CAMERA BODY - Top Handle



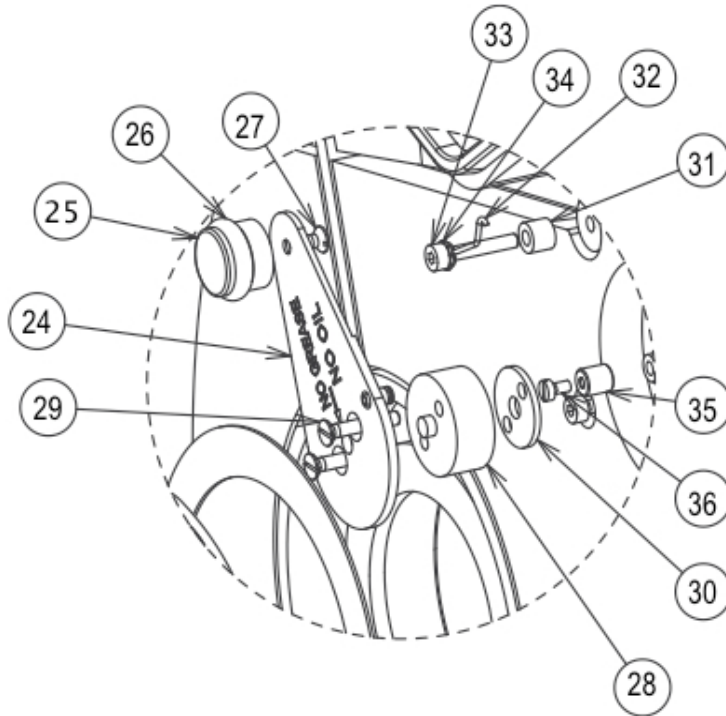
IND	DESIGNATION	DESIGNATION	REFERENCE
1	EMBASSE POIGNEE PENELOPE	HANDLE BASE	3320072
2	CORPS POIGNEE	HANDLE BODY	3320071
3	COUSSIN DE POIGNEE	HANDLE FOAM	3320074
4	VIS PAS DU CONGRES PENELOPE	3/8 SCREW	3320073
5	ATTACHE DECAMETRE	DECAMETRE HOOK	0375116
6	VIS CHC M2.5x12	M2.5x12 ALLEN SCREW	7084016
7	REPRISE VIS CHC M3x6	M3x6 MODIFIED ALLEN SCREW	3320077
8	VIS CHC M3x10	M3x10 ALLEN SCREW	7084023
10	CLE 6 PAN MALE	ALLEN KEY	7085406
11	AIMANT ø4x1.5	MAGNET ø4x1.5	1630043
12	OUTIL MIROIR VARIABLE	VARIABLE SHUTTER KEY	0920072
13	OUTIL PITCH	PITCH KEY	0920073

**MAGAZINE**



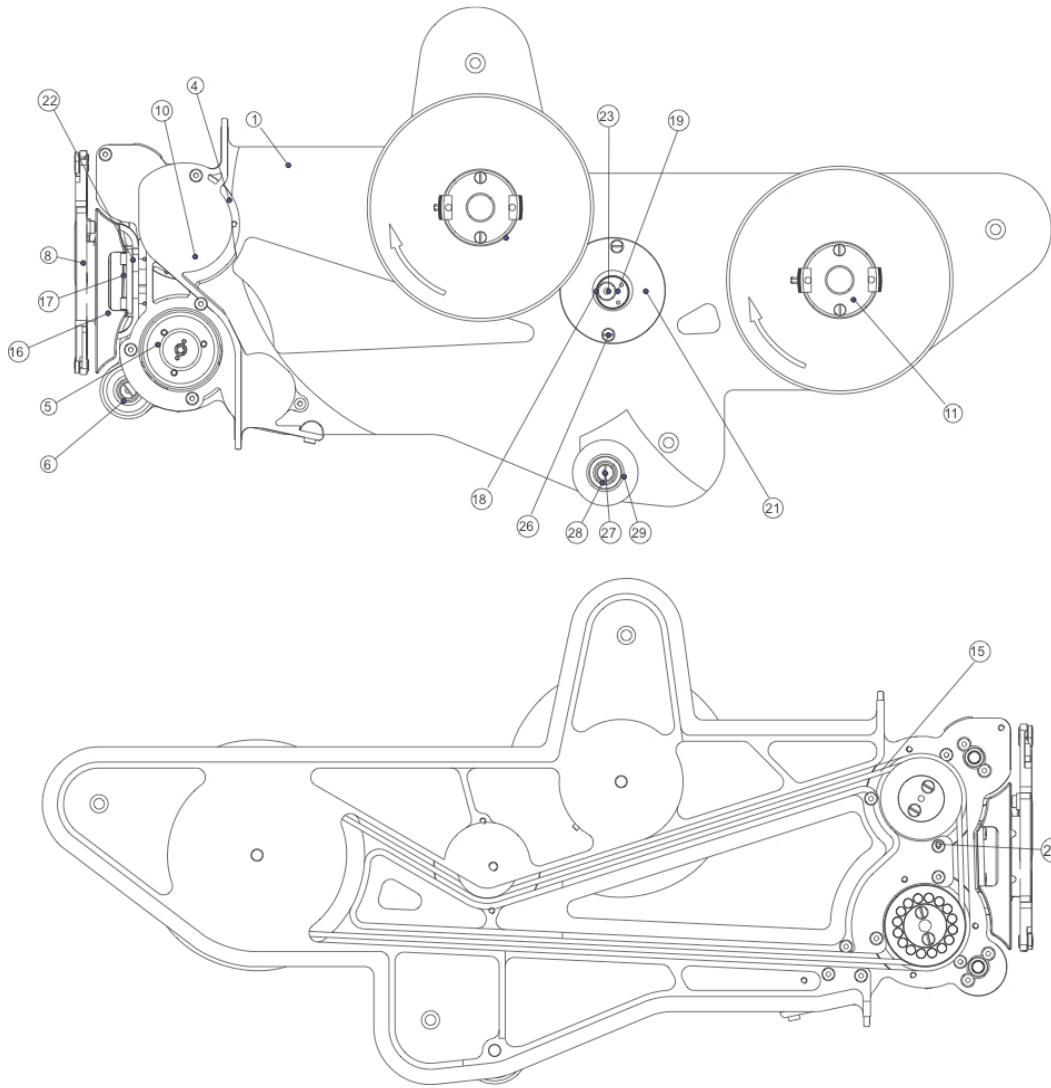
IND	DESIGNATION	DESIGNATION	REFERENCE
1	PC CARTER CORPS MAGASIN	MAGAZINE BODY S/A	3410021
2	PC COUVERCLE MAGASIN	MAGAZINE DOOR S/A	3410031
3	PC CRABOT BOBINE	SPOOL S/A	3410040
4	PC LEVIER CRABOT	SLIDING LEVER S/A	3410035
5	RONDELLE TEFLON 1 CRABOT TENDEUR	TEFLON RING #1	3410028
6	RESSORT CRABOT TENDEUR	SPRING	3410038
7	RONDELLE TEFLON 2 CRABOT TENDEUR	TEFLON RING #2	3410029
8	BAGUE GLISSEMENT CRABOT TENDEUR	TENSION SLIDING RING	3410027
9	VIS CHC M2x4	M2x4 ALLEN SCREW	0105026
10	S/E PLAQUE VERROU MAG	MAGAZINE LOCK PLATE S/A	3410020
11	CONTRE PLAQUE	REINFORCEMENT PLATE	3410024
12	VIS FS M2.5x10	CSK M2.5x10 SLOTTED SCREW	7084223
13	GOUPILLE CYLINDRIQUE - type A 2x10	2x10 CYLINDRICAL PIN	7084835
14	EQUERRE CALAGE MAGASIN	MAGAZINE STEEL PLATE	3410034
15	S/E TIGE MAG	MAGAZINE SHOULDER ROD	3410050
16	S/E GOND PENELOPE	PENELOPE HINGE S/A	3410060
17	VIS CHC M2.5x12	M2.5x12 ALLEN SCREW	7084016
18	PC BOUTON DZUS	DZUS LOCK MAG	3410070
19	RESSORT LEVIER VERROUILLAGE	LOCK LEVER SPRING	1820043
20	ANNEAU TRUARC 4	TRUARC 4 STEEL RING	7084716
21	BOUTON COMPTEUR	KNOB INDICATOR	0282003
22	ECHELLE COMPTEUR PENELOPE	PENELOPE COUNTER SCALE	3410048
23	SUPPORT COMPTEUR	COUNTER HOLDER	0282001
36	VIS TETE CYLINDRIQUE M1.6x3	CYLINDRICAL HEAD M1.6x3 SCREW	7084102
37	VIS CHC M2x6	M2x6 ALLEN SCREW	0105039

MAGAZINE - Counter System details



IND	DESIGNATION	DESIGNATION	REFERENCE
24	S/E LEVIER EQUIPE	SENSOR LEVER S/A	0282110
25	GALET FIXE	FIXED ROLLER	3410067
26	JOINT TORIQUE (6 int - 3 tore)	O RING	0282102
27	VIS FS M2x5	CSK M2x5 SLOTTED SCREW	7084213
28	ENTRETOISE AXE COMPTEUR	COUNTER SHAFT SPACER	3410046
29	VIS FS M2x12	CSK M2x12 SLOTTED SCREW	7084217
30	CALE PELABLE COMPTEUR	COUNTER THICKNESS SHIM	0285027
31	ENTRETOISE RESSORT DE VERROUILLAGE	LOCKING SPRING WASHER	3410047
32	ACCROCHE BRAS COMPTEUR	LOCKING SPRING	0282005
33	VIS CHC M2x12	M2x12 ALLEN SCREW	7084003
34	RONDELLE EVENTAIL AZ2	FAN WASHER	7084611
35	ENTRETOISE TACHY	TACHY SPACER	3351144
36	VIS TETE CYLINDRIQUE M1.6x3	CYLINDRICAL HEAD M1.6x3 SCREW	7084102
37	VIS CHC M2x6	M2x6 ALLEN SCREW	0105039

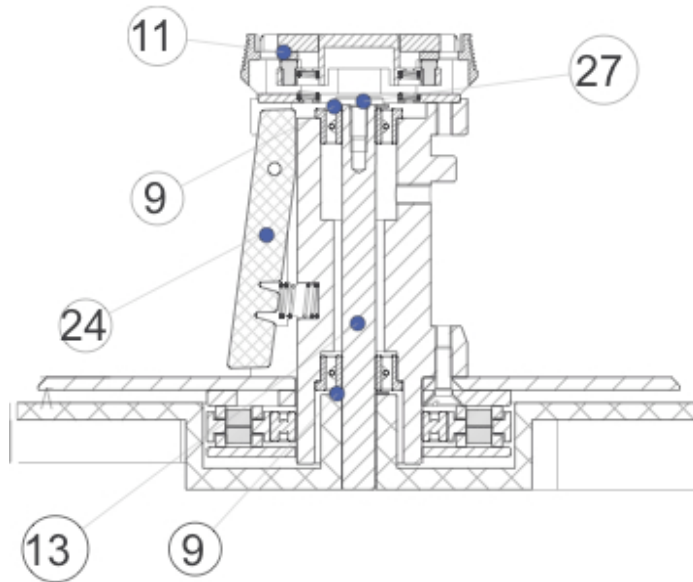
MAGAZINE - Chassis



IND	DESIGNATION	DESIGNATION	REFERENCE
1	PLATINE MAGASIN	MAGAZINE CHASSIS	3420011
4	S/E DEBITEUR UP PENELOPE	UPPER SPROCKET S/A	3423010
5	S/E DEBITEUR DOWN REGLEUR DE BOUCLE	LOWER SPROCKET S/A	3424010
6	SE GALET EXCENTRIQUE DOWN	LOWER ECCENTRIC ROLLER	3426015
8	SE PRESSEUR PENELOPE	PENELOPE PRESSURE PLATE S/A	3425010
10	PC CHICANE DEBITEUR	FEED SIDE CHICANE S/A	3426035
11	SE VERROU BOBINE	CORE RETAINER S/A	0261200
15	COURROIE BINDER T2.5/620	BELT T2.5/620	3426041
16	FLASQUE DROITE	RIGHT FLANGE	3426043
17	FLASQUE GAUCHE	LEFT FLANGE	3426044
18	GALET TENDEUR COURROIE	SPROCKET BELT ROLLER	3426032
19	AXE GALET TENDEUR COURROIE	SPROCKET BELT ROLLER SHAFT	3426031
20	VIS CHC M2x3	M2x3 ALLEN SCREW	0105034
21	TOLE FERMETURE GALET TENDEUR	SPROCKET BELT ROLLER PLATE	3426033
22	VIS CHC M2x5	M2x5 ALLEN SCREW	0105035
23	VIS FHC M3x8	M3x8 ALLEN SCREW	7084242
26	VIS FS M2x5	FS M2x5 SCREW	0105027
27	VIS SPECIALE M2 TETE ø5.8mm	M2 SPECIAL SCREW ø5.8mm	1115014
28	RONDELLE BALGLAS Ø4x8x0,25	BALGLAS WASHER Ø4x8x0,25	1624023
29	PC GALET DE RENVOI	LOWER ROLLER S/A	3615045

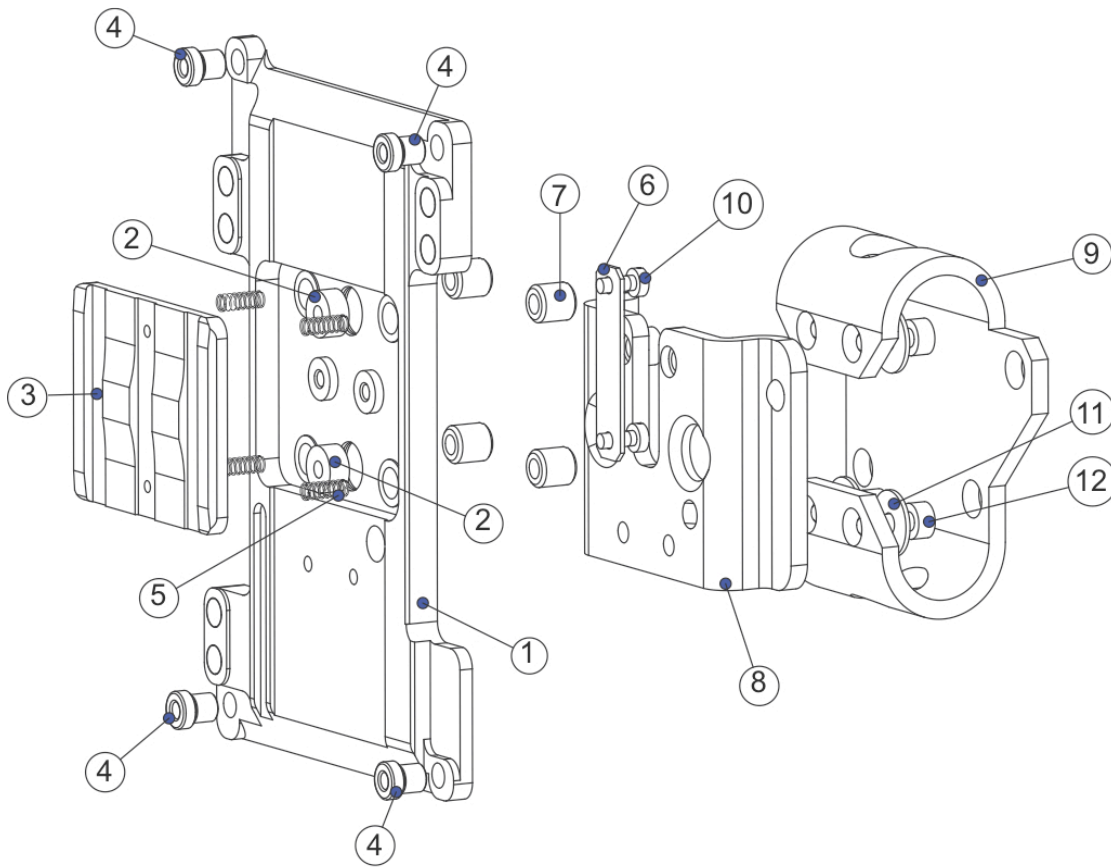


MAGAZINE - Take Up and Feed side roller



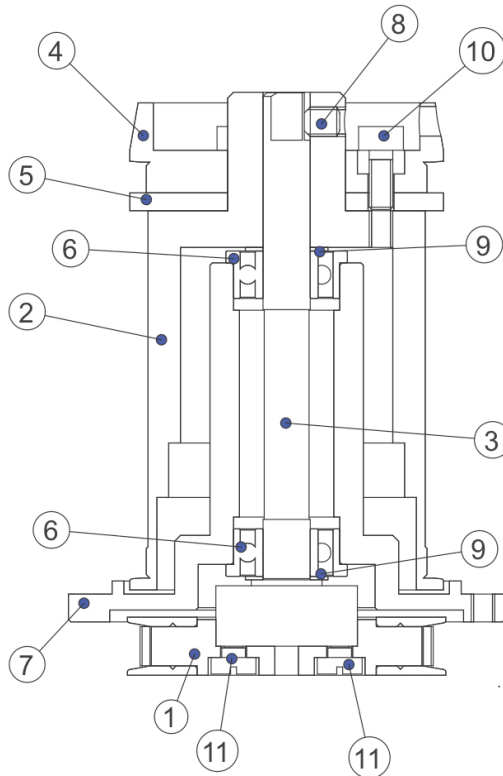
IND	DESIGNATION	DESIGNATION	REFERENCE
9	CALE PELABLE Ø4 Ep0.3mm	THICKNESS WASHER Ø4 Ep0.3mm	0115024
11	S/E VERROU BOBINE	CORE RETAINER S/A	0261200
13	AXE GALET BOBINE	ROLLER SPINDLE SHAFT	3426034
24	LINGUET BOBINE	CORE LOCKING BAR	3421013
27	VIS SPECIALE M2 TETE ø5.8mm	M2 SPECIAL SCREW ø5.8mm	1115014

MAGAZINE - Pressure Plate



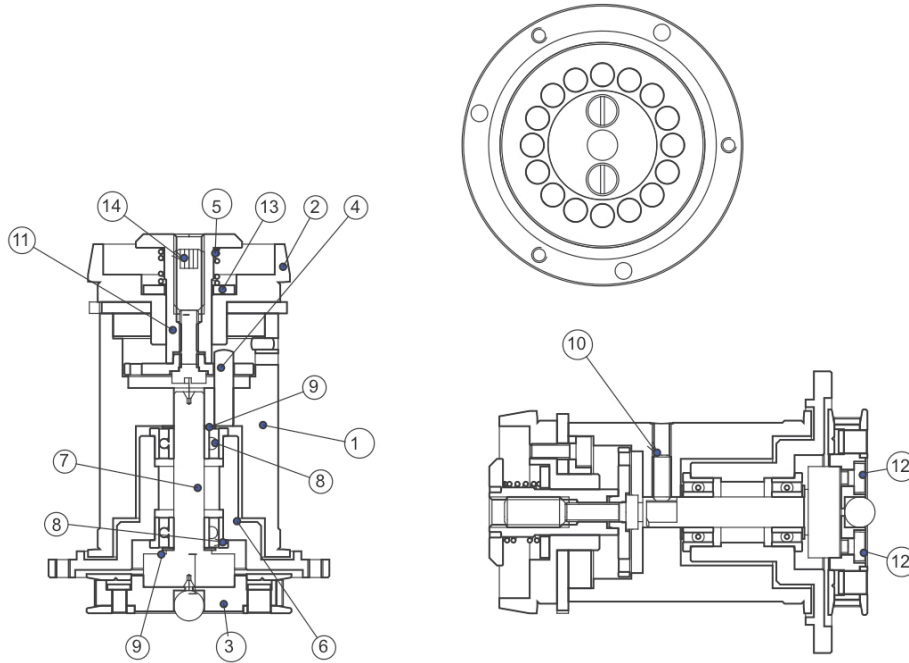
IND	DESIGNATION	DESIGNATION	REFERENCE
1	SUPPORT PRESSEUR PENELOPE	PENELOPE PRESSURE PLATE	3425016
2	BAGUE DE GUIDAGE - DIA. 9 INTERIEUR	GUIDE RING - DIA. 9	0222015
3	PRESSEUR IMAGE	IMAGE PRESSURE PLATE	3425018
4	VERIN SUPPORT PRESSEUR	PRESSURE HOLDER POST	3425017
5	RESSORT PRESSEUR	PRESSURE SPRING	3620133
6	PLAQUETTE	PLATE	3620116
7	VERIN PRESSEUR	PRESSURE SCREW	3620124
8	PATTE SUSPENSION PRESSEUR	PRESSURE PLATE SUSPENSION HOLDER	3425021
9	SUSPENSION PRESSEUR PENELOPE	PENELOPE PRESSURE PLATE SUSPENSION	3425019
10	VIS INOX TC M1.6x4	TC M1.6x4 INOX SCREW	0105037
11	RONDELLE L 2	WASHER L 2	7084615
12	VIS CHC M2x6	M2x6 ALLEN SCREW	0105039

MAGAZINE - Upper Sprocket S/A



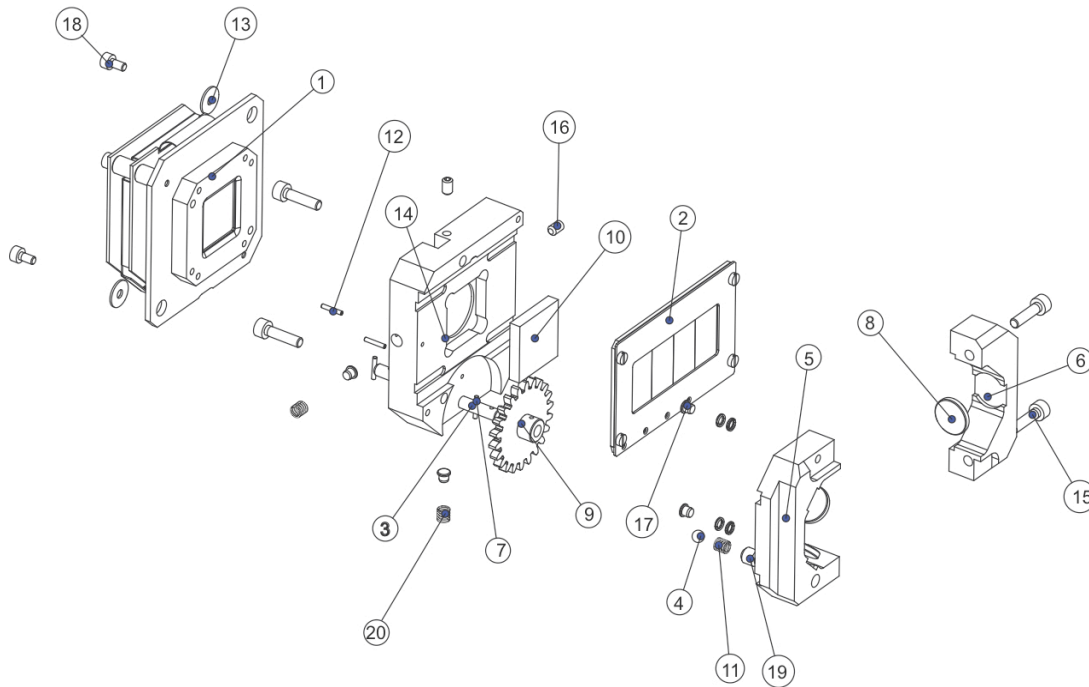
IND	DESIGNATION	DESIGNATION	REFERENCE
1	PC PIGNON 32DTS	GEAR 32 TOOTH S/A	3423015
2	ROULEAU DEBITEUR UP	UPPER SPROCKET ROLLER	3630047
3	AXE ENTRAINEUR UP	UPPER SPROCKET DRIVING SHAFT	3423012
4	JOUE SUPERIEURE DEBITEUR UP	UPPER SPROCKET FLANGE	3423013
5	PIGNON DEBITEUR	SPROCKET GEAR	3630019
6	ROULEMENT A BILLES 4x9x4	BALL BEARING 4x9x4	0242022
7	SUPPORT DEBITEUR UP	UPPER SPROCKET HOLDER	3423011
8	VIS HC M2.5x3 BOUT PLAT	HC M2.5x3 FLAT SCREW	7084311
9	CALE PELABLE 4 Ep0.3mm	THICKNESS WASHER 4 Ep0.3mm	0115024
10	VIS CHC M2x5	M2x5 ALLEN SCREW	7084002
11	VIS CS M2x6	CS M2x6 SCREW	7084114

MAGAZINE - Lower Sprocket S/A



IND	DESIGNATION	DESIGNATION	REFERENCE
1	PC GALET DEBITEUR DOWN	LOWER SPROCKET ROLLER S/A	3424015
2	PC JOUE DEBITEUR DOWN	LOWER SPROCKET FLANGE	3424023
3	PC CRABOT PENELOPE	SPROCKET DRIVING S/A	3424025
4	PC PLATEAU PERFORE	PERFORATED PLATE S/A	3424020
5	RESSORT DE COMPRESSION	COMPRESSION CYLINDRICAL SPRING	3424019
6	SUPPORT DEBITEUR DOWN	LOWER SPROCKET HOLDER	3424011
7	AXE ENTRAINEUR DEBITEUR DOWN	LOWER SPROCKET DRIVE SHAFT	3424012
8	ROULEMENT A BILLE 4x9x4	BALL BEARING 4x9x4	0242022
9	CALE PELABLE 4 Ep0.3mm	THICKNESS WASHER 4 Ep0.3mm	0115024
10	HC M2.5x6 BOUT PLAT	HC M2.5x6 FLAT SCREW	7084218
11	BOUON REGLAGE BOUCLE	LOOP ADJUSTMENT BUTTON	3424024
12	VIS CS M2x6	CS M2x6 SCREW	7084114
13	RONDELLE Z 6	WASHER Z 6	7084620
14	VIS HC M4x8 BOUT PLAT	HC M4x8 FLAT SCREW	7084332

VIDEO ASSIST



IND	DESIGNATION	DESIGNATION	REFERENCE
1	PC CAPTEUR PAL	PAL VIDEO TARGET S/A	3323095
2	SE PORTE FILTRES	FILTERS HOLDER S/A	3323085
3	AXE PIGNON 22 DTS	GEAR SHAFT 22 TOOTH	3323081
4	BILLE DIA.3	BALL DIA.3	7084906
5	BRIDE FIXE	FIXED RETAINER	3323088
6	BRIDE MOBILE	MOBILE RETAINER	3323089
7	GOUPILLE CYLINDRIQUE 1x6	CYLINDRICAL PIN 1x6	7084813
8	PASTILLE ISOLANTE	VIDEO INSULATING	3323083
9	PIGNON M=1 - 22DTS	GEAR M=1 - 22 TOOTH	3323091
10	FILTRE CIBLE VIDEO	VIDEO TARGET FILTER	0663457
11	RESSORT DE COMPRESSION - C 3.2x0.4x4	COMPRESSION SPRING - C 3.2x0.4x4	3632018
12	SPIROLE 1x6	PIN 1x6	7084867
13	RONDELLE L2	SPACER L2	7084615
14	SUPPORT VIDEO PENELOPE	PENELOPE VIDEO HOLDER	3323082
15	VIS CHC M2.5x10	M2.5x10 ALLEN SCREW	0105013
16	VIS CHC M2x4	M2x4 ALLEN SCREW	0105026
17	TETON RESSORT	SPRING STUD	0663456
18	VIS HC M2.5x4	HC M2.5x4 SCREW	7084312
19	VIS HC BOUT PLAT M4x4	HC M4x4 FLAT SCREW	7084334
20	RESSORT 3.2x0.4x4	SPRING 3.2x0.4x4	3662018