

# VANTAGE PERISCOPE UNDERWATER HOUSING

## INSTRUCTIONS FOR USE



- 1** Slide the camera forward on to the bridge plate, and align the front of the camera with the front of the bridge plate.
- 2** Insert the periscope support rods into the camera wedge plate in a way that they extend between 38/39 cm, according to the marking.
- 3** Attach the periscope onto the camera, and remove the PL adapter of the periscope.
- 4** Slide the iris and focus controls onto the support rods and lock them in position. The levers have to be inside.
- 5** Mount the support of the periscope as shown in the picture.

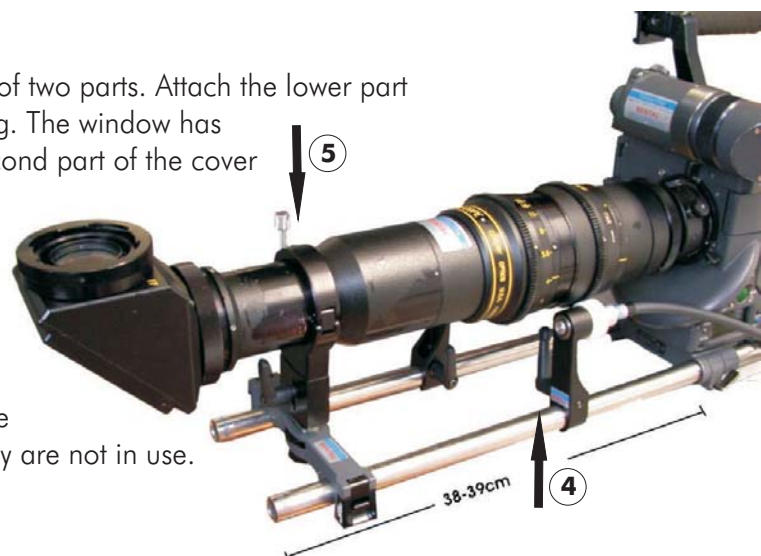
- 6** Ensure that the locking clamp brackets at the back of the housing are fully open, and then gently slide the housing over the periscope. Ensure that the support rods locate into the front support brackets inside the housing. Adjust the position of the housing and check if the lens locking ring is in the center of the lens port, then lock the rear clamps.

- 7** Attach the PL adapter to the periscope, and select the lens. Set the lens focus on infinity, and the iris fully open.

- 8** Check that the o-ring on the housing is in position, undamaged, and has been greased slightly. Select the most suitable lens extension port and gently screw it on the housing ensuring that it is fully screwed on. At this stage it may be necessary to slightly adjust the position of the Periscope Underwater Housing in order to keep the lens in the middle of the lens port.

- 9** The yellow colored protective spray cover consists of two parts. Attach the lower part (with window) to the Periscope Underwater Housing. The window has to be aligned to the camera display. Attach the second part of the cover (with zipper) to the first part. Begin at the black arrow on the first part. The four openings allow to insert eyepiece, focus & iris whips, as well as the cabeling.

- 10** To avoid damage to the glass ports, ensure that the protective covers are in place at all times when they are not in use.



Made in Germany by Vantage Film GmbH

For further information contact Vantage Film, Phone +49 961 26795, Fax +49 961 62983, [www.vantagefilm.com](http://www.vantagefilm.com)